

电力	暖通	动力	
建筑	结构	给排水	
会	签		



Copyright 2016.

本图版权归浙江中天集成房屋有限公司所有，除本工程外本图的任何其它用途和复制，必须取得本公司的书面许可。
THE OWNERSHIP OF THE COPYRIGHT IN THIS DRAWING IS RETAINED BY ZHEJIANG PUTIAN INTEGRATED HOUSING CO.,LTD. WRITTEN CONSENT MUST BE OBTAINED BEFORE ANY USE OR REPRODUCTION OF THE DRAWING.

版本	修改内容	日期	发布人
Rev.	Description	Date	who send



Zhejiang Putian integrated housing Co., Ltd.
Hangzhou Zhongou Architecture Design (institute) Co., Ltd.

证书等级	
证书编号	

合作设计单位 Cooperative Designer	
--------------------------------	--

工序 Process	签名 Signature	日期 Date
审定 Authorized By		
审核 Verified By		
项目负责人 Process		
校对人 Checked By		
设计 Designed By		07/31/18
制图 Drawn By		07/31/18

执业签章 Engineer Signature	
----------------------------	--

出图签章 Engineer Signature	
----------------------------	--

项目名称 Project Name	6*3-标准
----------------------	--------

图名 Title	3D
-------------	----

工程编号 Title	专业 Title	JZ
比例 Scale	图号 Dwg. No.	A-01

未盖技术出图章 本图纸无效
This drawing is valid only after being stamped and released by the R&D

Design Description

General Description ;

1. Size of single container house is 6000mmx3000mm, height 2. 60m. Internal clear height 2. 28m(Indoor floor to the lowest point of indoor ceiling panel).

Advantages of the project:

1. All components are mechanized and integrated with high precision.
- 2.The upper part of the component contains reserved holes, including 12mm tapped hole,self-tapping screw pre-hole; thus no need to punch on site.
- 3.The structure is simple to install, the category of components is not various, and the on-site installation is convenient.
- 4.Wall panels can be interchanged and compatible with a large variety of housing applications.
- 5.For special areas with high temperature requirements, the insulation goal can be achieved by replacing the wall panels and increasing thermal insulation of the top and bottom .

Material parameter:

Frame: Modular container house, the overall frame is Q345hot galvanizing .(The frame can be disassembled to put into a 20ft container).

RoofPanel: 0. 4mm corrugated colored steel sheet + 100mm glass wool + 0.4 mm colored steel ceiling.

WallPanel: 50mm glass wool sandwich panel, both side are 0.4mm color steel sheet

Floordeckboard: 1. 5mmPVC floor +18mm fiber cement board

Door&Window: D1: 930*2100mm Steel open door

W1: 930x1100mm -in Aluminum alloy Single glazed sliding window

Copyright 2016.

本图版权归浙江普天集成房屋有限公司所有，除本工程外对本图的任何其它用途和复制，必须取得本公司的书面许可。
THE OWNERSHIP OF THE COPYRIGHT IN THIS DRAWING IS RETAINED BY ZHEJIANG PUTIAN INTEGRATED HOUSING CO.LTD. WRITTEN CONSENT MUST BE OBTAINED BEFORE ANY USE OR REPRODUCTION OF THE DRAWING.

版本 Rev.	修改内容 Description	日期 Date	发布人 who send



Zhejiang Putian integrated housing Co., Ltd.
Hangzhou Zhongou Architecture Design (institute) Co., Ltd.

证书等级

证书编号

合作设计单位
Cooperative Designer

工序 Process	签名 Signature	日期 Date

审定
Authorized By

审核
Verified By

项目负责人
Process

校对人
Checked By

设计
Designed By

08/17/18

制图
Drawn By

08/17/18

执业签章
Engineer Signature

出图签章
Engineer Signature

项目名称
Project Name

6*3-标准

图名
Title

设计说明

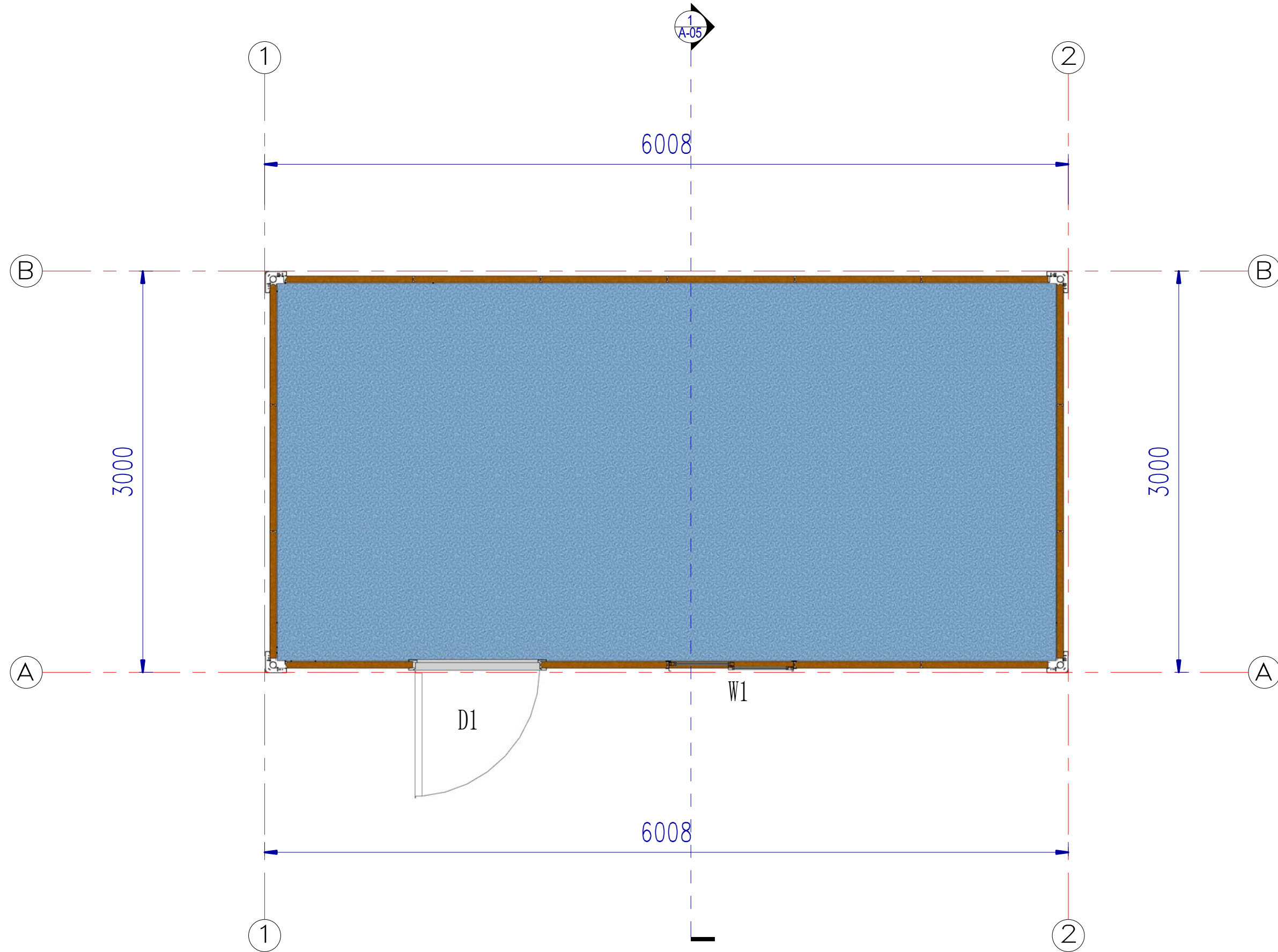
工程编号 Title	专业 Title	JZ
---------------	-------------	----

比例 Scale	图号 Dwg. No.	A-02
-------------	----------------	------

未盖技术出图章 本图纸无效
This drawing is valid only after being stamped and released by the BDD

电力	暖通	动力
建筑	结构	给排水
会签		

电力	暖通	动力
建筑	结构	给排水
会	签	



Ground Floor

Copyright 2016.
 本图版权归浙江中天集成房屋有限公司所有，除本工程外对本图的任何其它用途和复制，
 必须取得本公司的书面许可。
 THE OWNERSHIP OF THE COPYRIGHT IN THIS DRAWING IS RETAINED BY ZHEJIANG
 PUTIAN INTEGRATED HOUSING CO.,LTD. WRITTEN CONSENT MUST BE OBTAINED BEFORE
 ANY USE OR REPRODUCTION OF THE DRAWING.

版本	修改内容	日期	发布人
Rev.	Description	Date	who send

PTH

Zhejiang Putian integrated housing Co., Ltd.
 Hangzhou Zhongou Architecture Design (institute) Co., Ltd.

证书等级	
证书编号	

合作设计单位
 Cooperative Designer

工序	签名	日期
Process	Signature	Date
审定		
Authorized By		
审核		
Verified By		
项目负责人		
Process		
校对		
Checked By		
设计		07/31/18
Designed By		
制图		07/31/18
Drawn By		

执业签章
 Engineer Signature

出图签章
 Engineer Signature

项目名称
 Project Name

6*3-标准

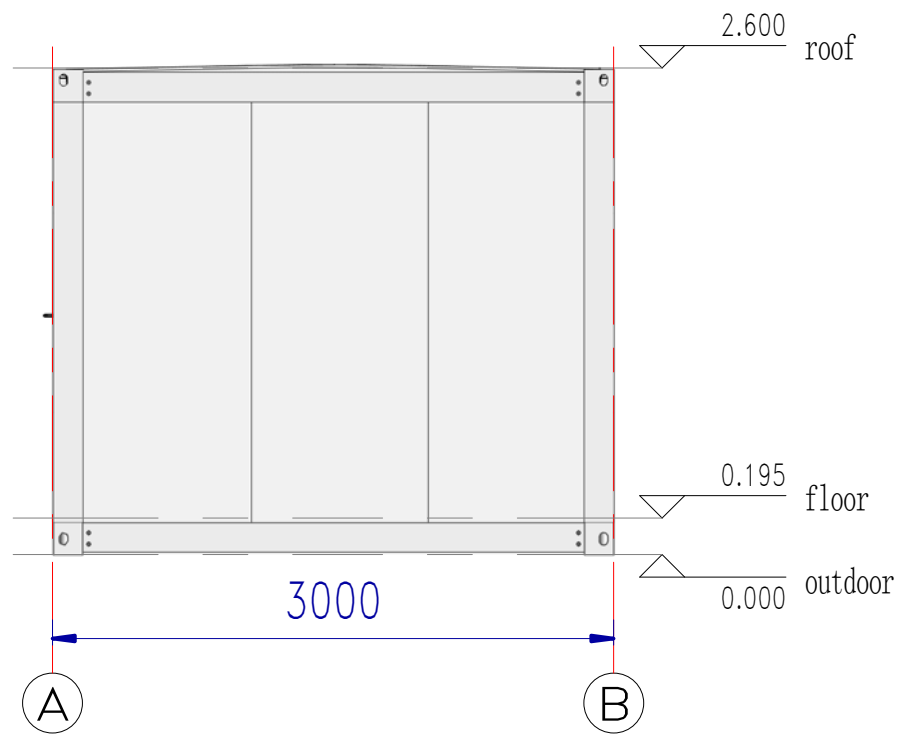
图名
 Title

平面布置图

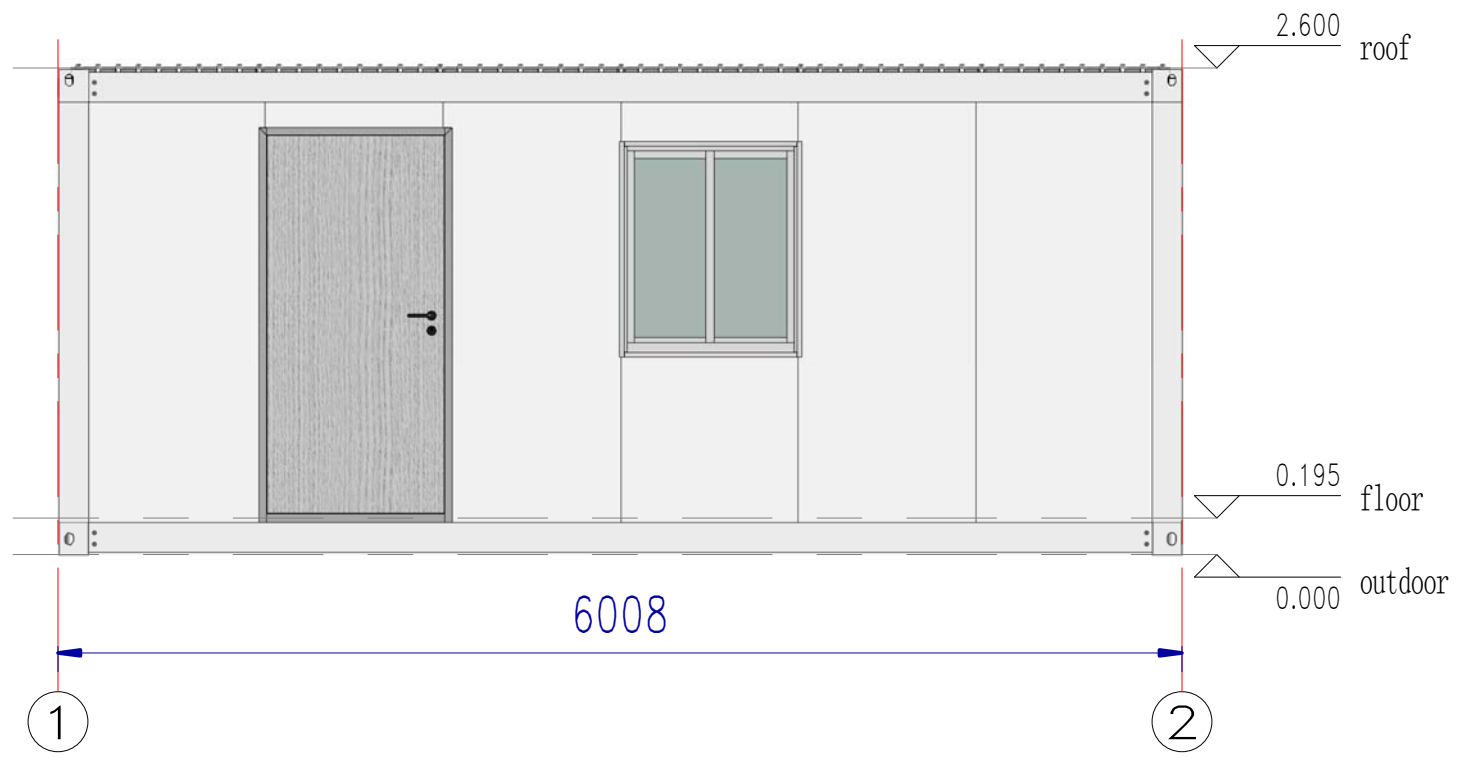
工程编号	专业	JZ
Title	Title	
比例	图号	A-03
Scale	Dwg. No.	

未盖技术出图章 本图纸无效
 This drawing is valid only after being stamped and released by the R&D

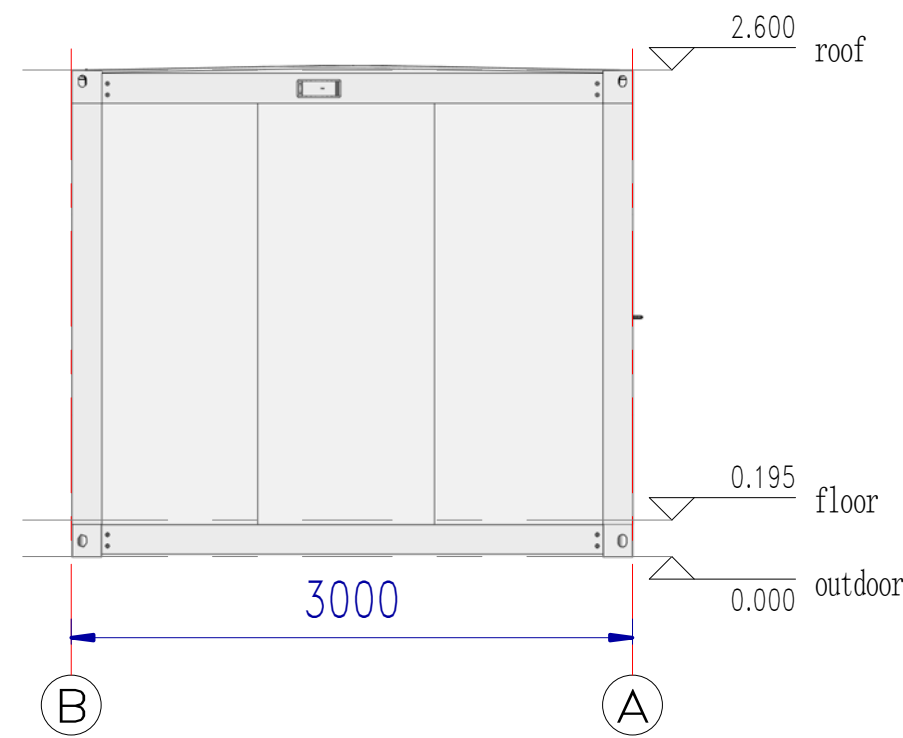
电力	暖通	动力
建筑	结构	给排水
会	签	



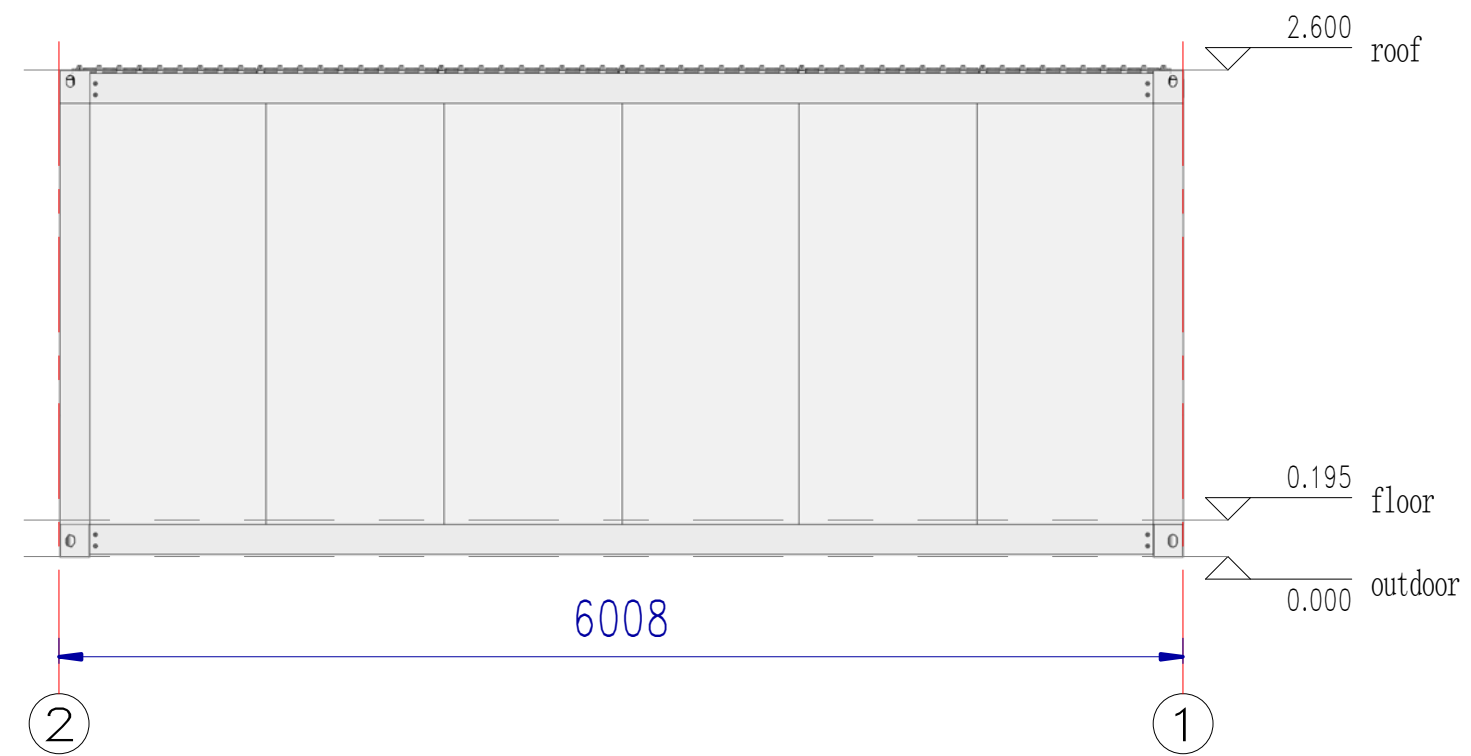
East view



South view



West view



North view

Copyright 2016.
 本图版权归浙江中天集成房屋有限公司所有，除本工程外对本图的任何其它用途和复制，
 必须取得本公司的书面许可。
 THE OWNERSHIP OF THE COPYRIGHT IN THIS DRAWING IS RETAINED BY ZHEJIANG
 PUTIAN INTEGRATED HOUSING CO.,LTD. WRITTEN CONSENT MUST BE OBTAINED BEFORE
 ANY USE OR REPRODUCTION OF THE DRAWING.

版本	修改内容	日期	发布人
Rev.	Description	Date	who send



Zhejiang Putian integrated housing Co., Ltd.
 Hangzhou Zhongpu Architecture Design (institute) Co., Ltd.

证书等级	
证书编号	
合作设计单位	Cooperative Designer

工序	签名	日期
Process	Signature	Date
审定		
Authorized By		
审核		
Verified By		
项目负责人		
Process		
校对人		
Checked By		
设计		07/31/18
Designed By		
制图		07/31/18
Drawn By		

执业签章
 Engineer Signature

出图签章
 Engineer Signature

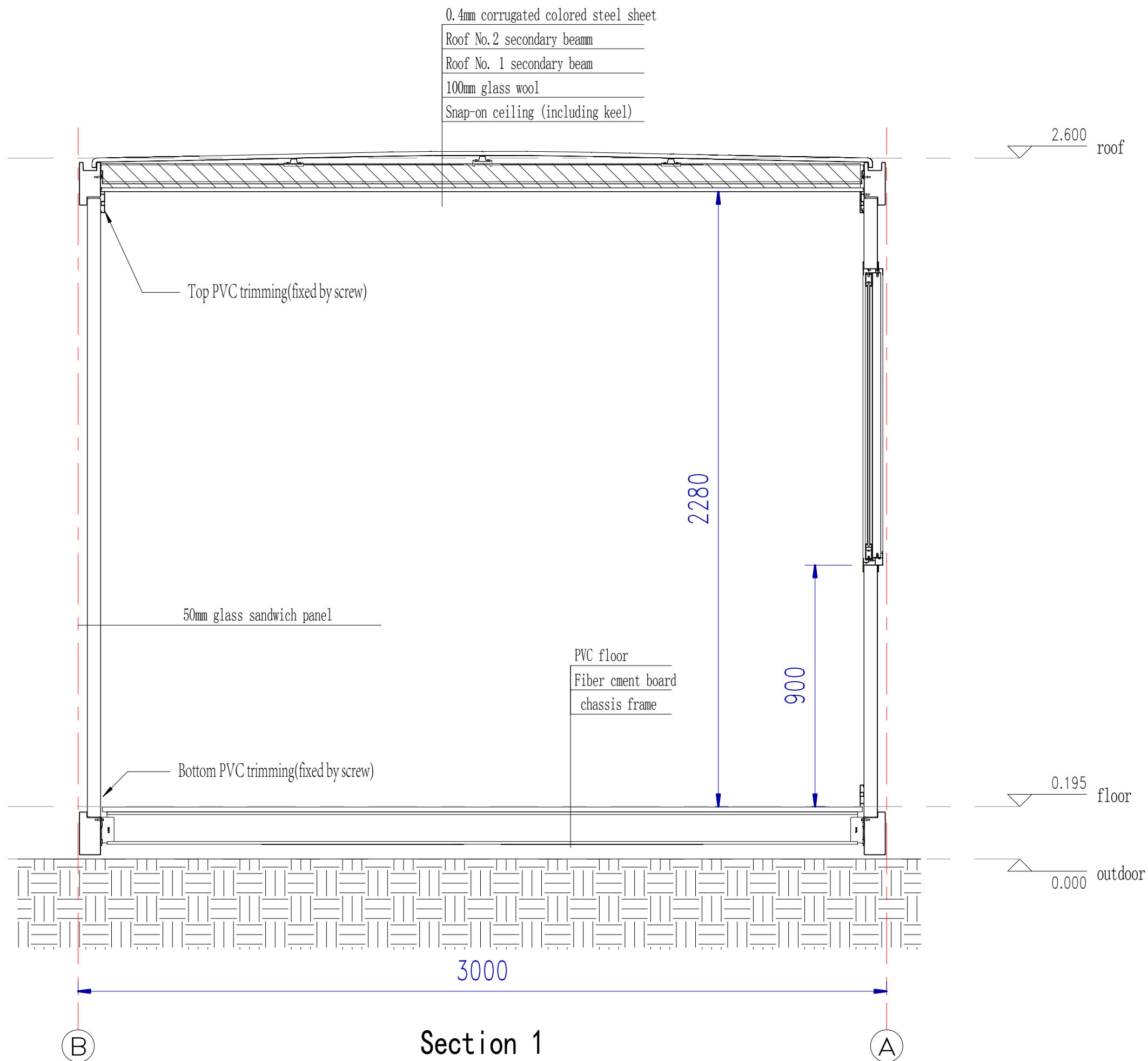
项目名称
 Project Name
6*3-标准

图名
 Title
立面布置图

工程编号	专业	JZ
Title	Title	
比例	图号	A-04
Scale	Dwg. No.	

未盖技术出图章 本图纸无效
 This drawing is valid only after being stamped and released by the BDD

电力	暖通	动力
建筑	结构	给排水
会	签	



Copyright 2016.

本图版权归浙江中天集成房屋有限公司所有，除本工程外对本图的任何其它用途和复制，必须取得本公司的书面许可。
THE OWNERSHIP OF THE COPYRIGHT IN THIS DRAWING IS RETAINED BY ZHEJIANG PUTIAN INTEGRATED HOUSING CO., LTD. WRITTEN CONSENT MUST BE OBTAINED BEFORE ANY USE OR REPRODUCTION OF THE DRAWING.

版本	修改内容	日期	发布人
Rev.	Description	Date	who send

PTH

Zhejiang Putian integrated housing Co., Ltd.
Hangzhou Zhongou Architecture Design (institute) Co., Ltd.

证书等级

证书编号

合作设计单位

Cooperative Designer

工序	签名	日期
Process	Signature	Date

审定

Authorized By

审核

Verified By

项目负责人

Process

校对人

Checked By

设计

Designed By

07/31/18

制图

Drawn By

07/31/18

执业签章

Engineer Signature

出图签章

Engineer Signature

项目名称

Project Name

6*3-标准

图名

Title

剖面布置图

工程编号

Title

专业

Title

JZ

比例

Scale

图号

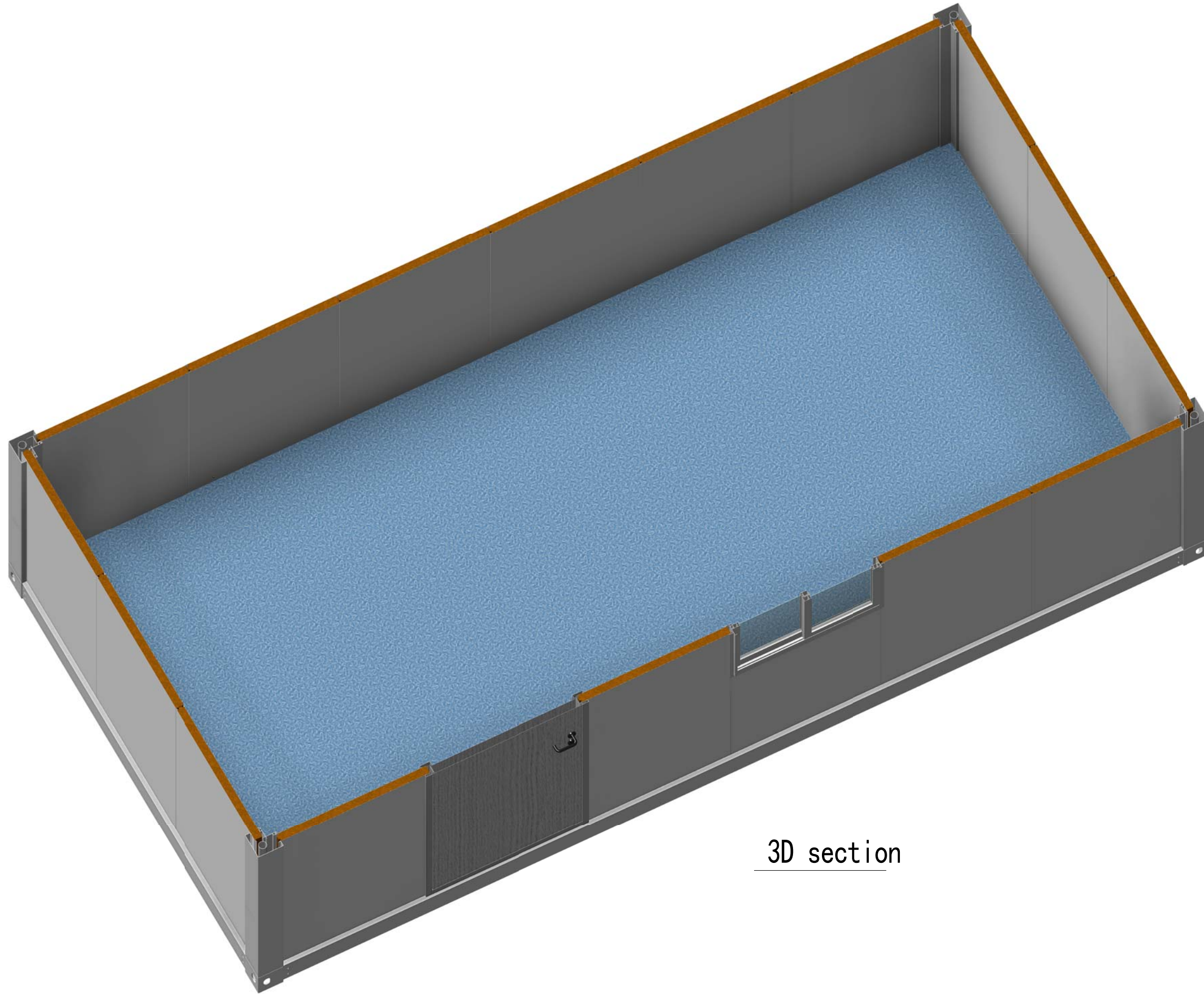
Dwg. No.

A-05

未盖技术出图章 本图纸无效

This drawing is valid only after being stamped and released by the R&D

会	建	电
签	筑	力
构	结	暖
水	排	通
	给	动
	水	力



3D section

Copyright 2016.

本图版权归浙江普天集成房屋有限公司所有，除本工程外对本图的任何其它用途和复制，必须取得本公司的书面许可。
THE OWNERSHIP OF THE COPYRIGHT IN THIS DRAWING IS RETAINED BY ZHEJIANG PUTIAN INTEGRATED HOUSING CO.,LTD. WRITTEN CONSENT MUST BE OBTAINED BEFORE ANY USE OR REPRODUCTION OF THE DRAWING.

版本	修改内容	日期	发布人
Rev.	Description	Date	who send



Zhejiang Putian integrated housing Co., Ltd.
Hangzhou Zhongou Architecture Design (institute) Co., Ltd.

证书等级	
证书编号	

合作设计单位	Cooperative Designer

工序	签名	日期
Process	Signature	Date
审定		
Authorized By		
审核		
Verified By		
项目负责人		
Process		
校对		
Checked By		
设计		07/31/18
Designed By		
制图		07/31/18
Drawn By		

执业签章	Engineer Signature

出图签章	Engineer Signature

项目名称	Project Name
	6*3-标准

图名	Title
	横截剖面

工程编号	专业	JZ
Title	Title	
比例	图号	A-06
Scale	Dwg. No.	

未盖技术出图章 本图纸无效
This drawing is valid only after being stamped and released by the R&D